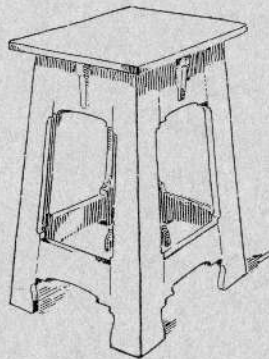


#### 5—Bench Stool

An eighth grade or high school problem. This project introduces angle tenon-and-mortise and angle housing construction. It should be made of some wood which will not break or splinter easily. An open-grained soft wood such as chestnut will not prove satisfactory. Either poplar, maple or birch, if oak is not preferred, will make a strong piece of furniture in this design. Finish any one of these woods with bichromate of potash and rub down with oil. A coat of wax may be added after the oil has evaporated.

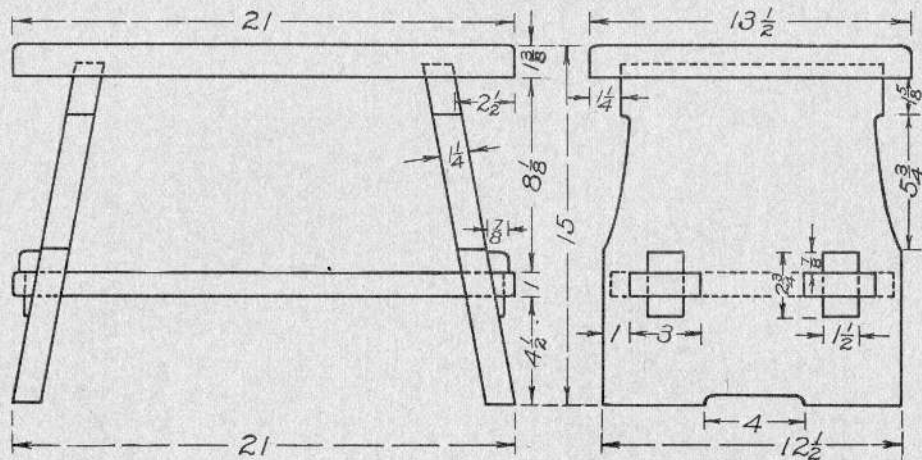


#### 6—Pedestal

A high school problem. This project is not particularly difficult in construction. The rails may be tenoned or halved into the legs. The joints are square cut and may be made without difficulty, therefore, either by hand or on machines. This piece will be attractive either in a library or club room, and may be used for a large plant, a piece of statuary or as a stand for a smoking set. Its companion pieces will call for chestnut, ash or oak in its construction. A brown or green stain finish, covered with some preservative to give a dead finish, is suggested.

# BENCH STOOL

## T AND M PIN CONSTRUCTION



# PEDESTAL

