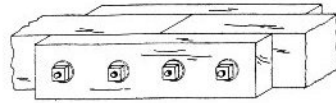
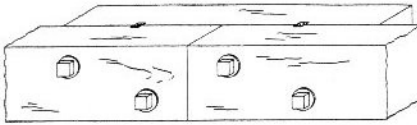


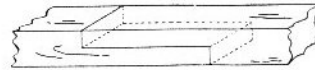
1 Lapped and Strapped



2 Fished



3 Fished and keyed



4 Spliced for compression



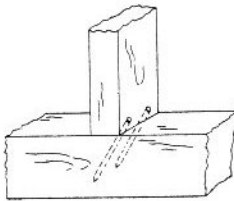
5 Spliced for tension



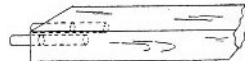
6 Spliced and Tabled



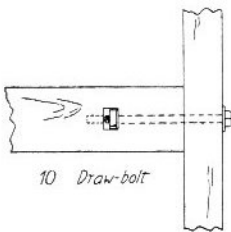
7 Spliced for cross strain



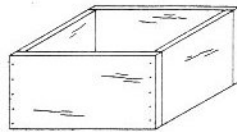
9 Toe-nailed



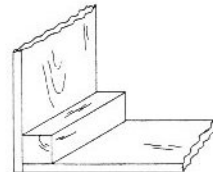
8 Doweled butt



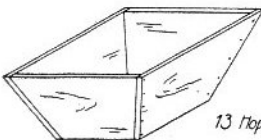
10 Draw-bolt



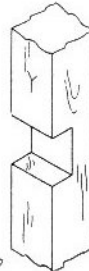
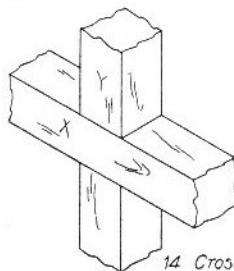
11 Plain butt



12 Glued and blocked



13 Hopper



14 Cross-lap

Fig. 264.

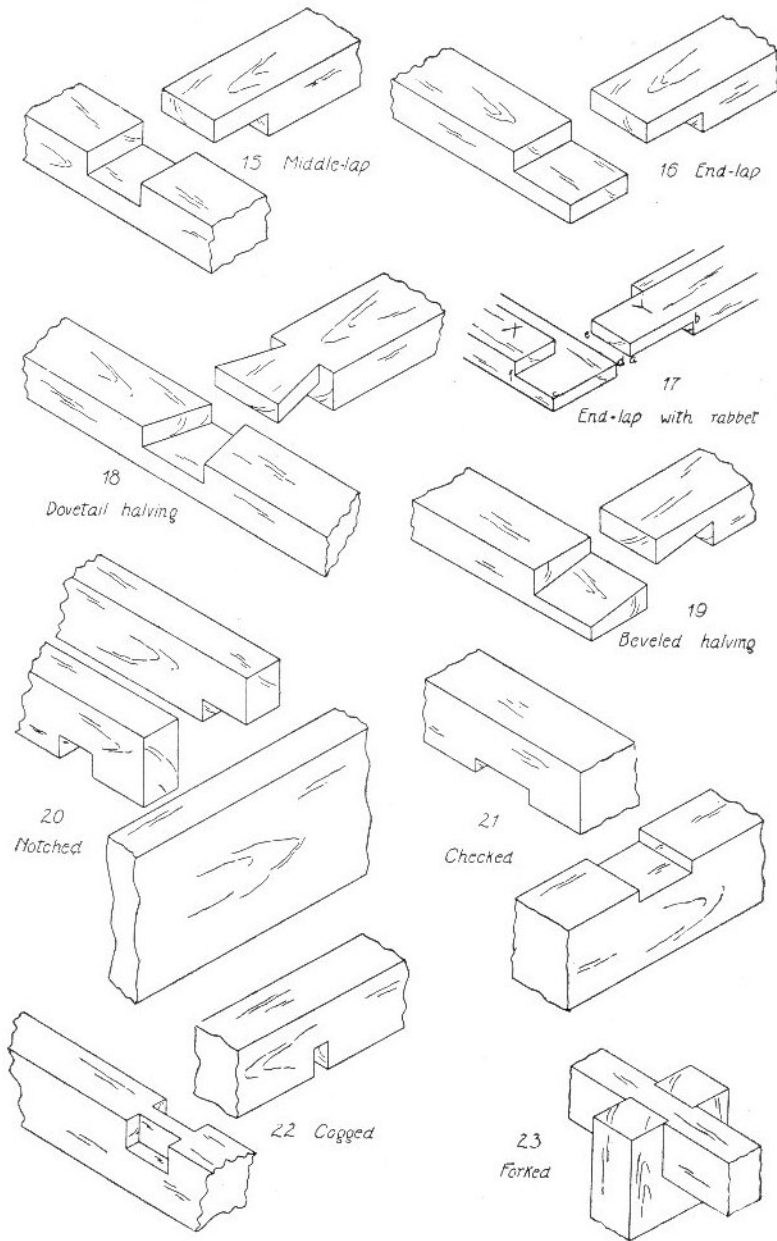


Fig. 265.

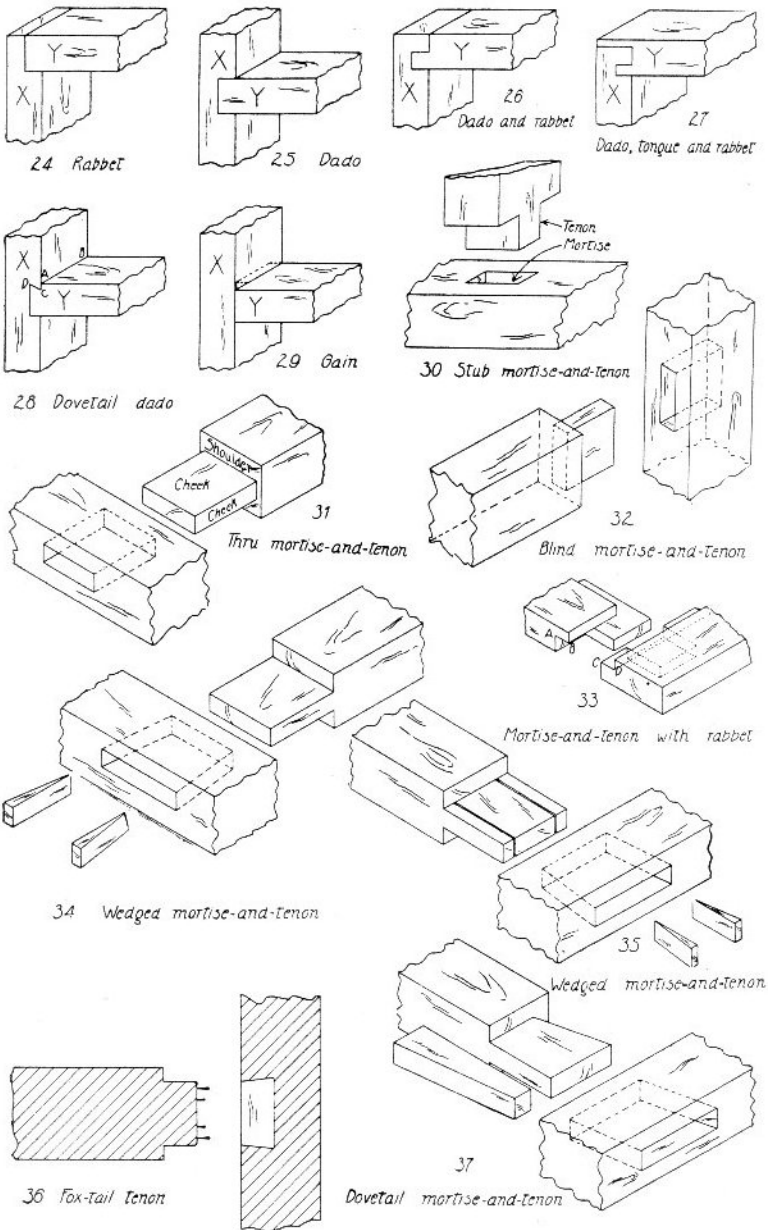


Fig. 266.

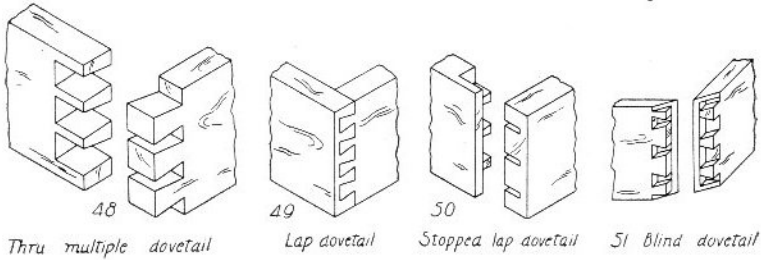
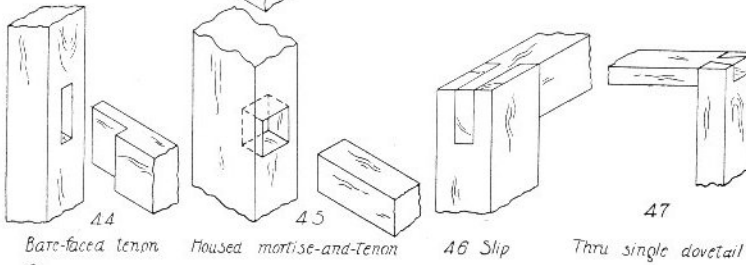
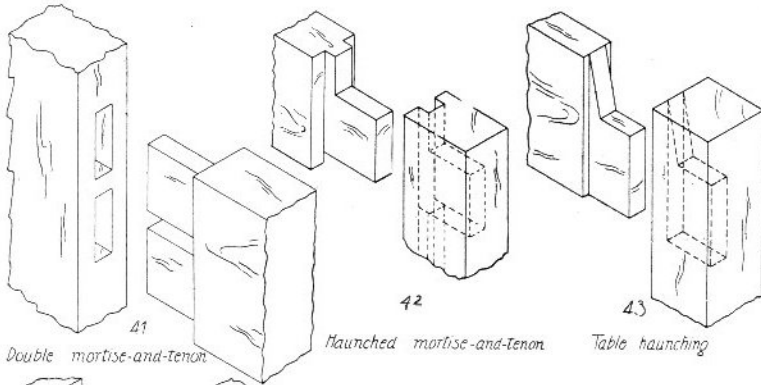
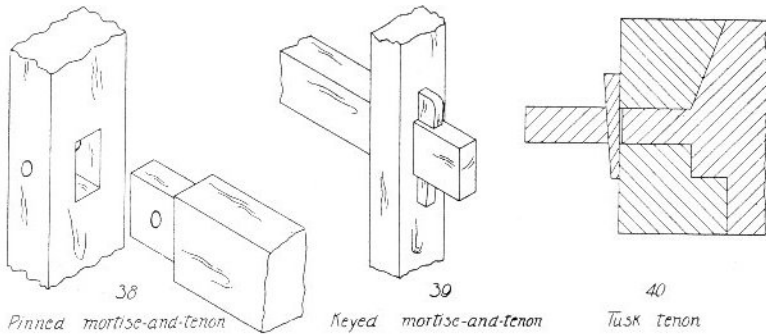


Fig. 267.

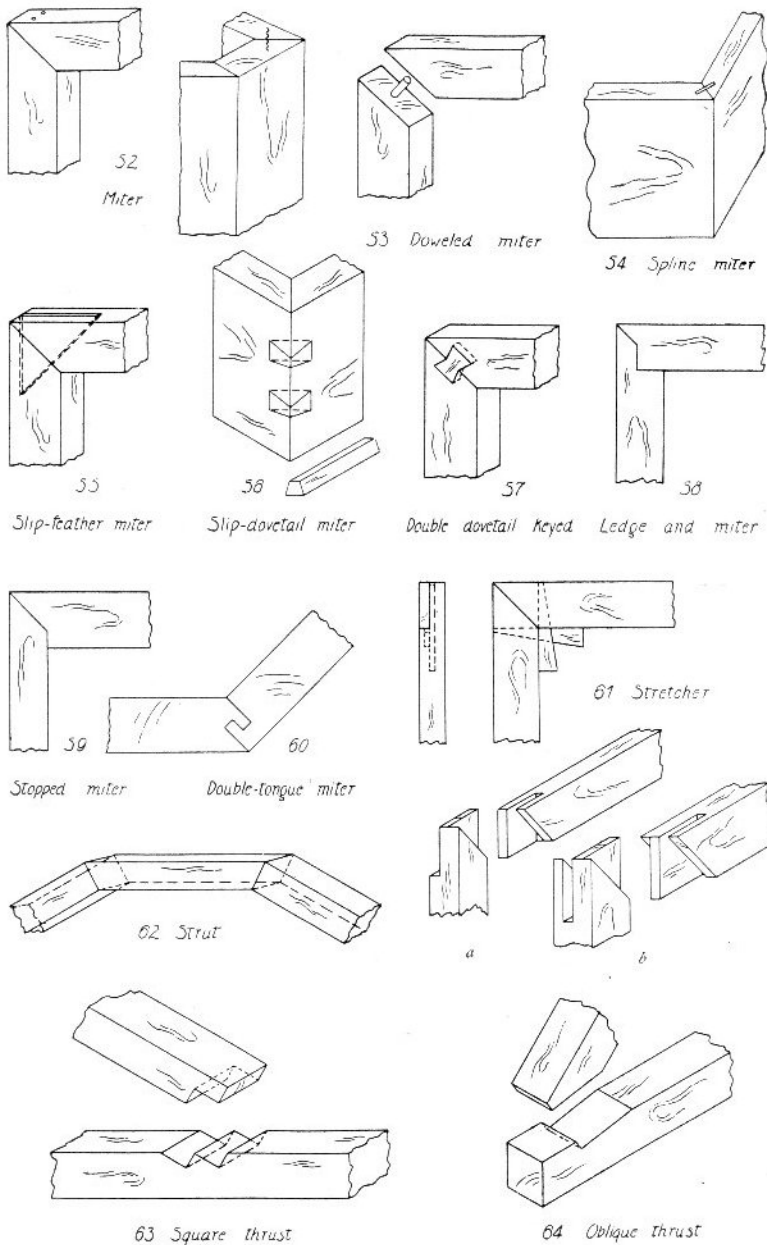


Fig. 268.

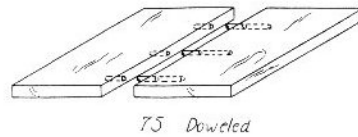
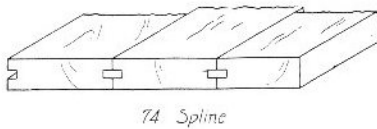
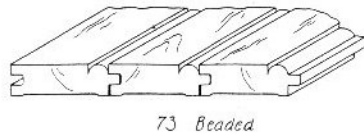
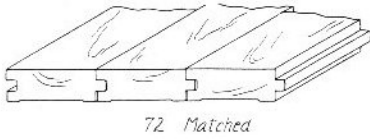
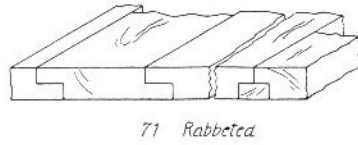
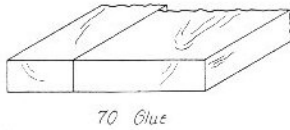
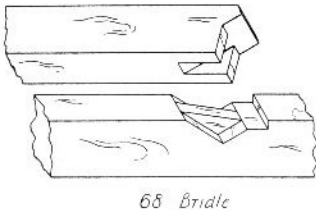
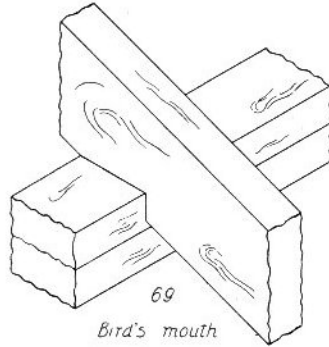
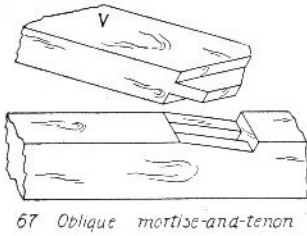
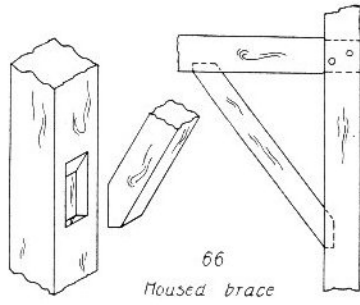
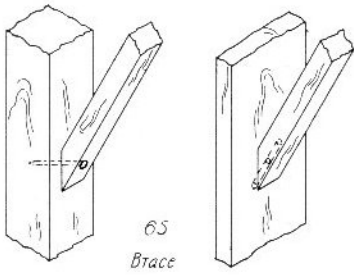


Fig. 269.